

# Denoxtronic 2.2 – SCR System for Heavy Commercial and Off-Highway Vehicles



**BOSCH**  
Invented for life



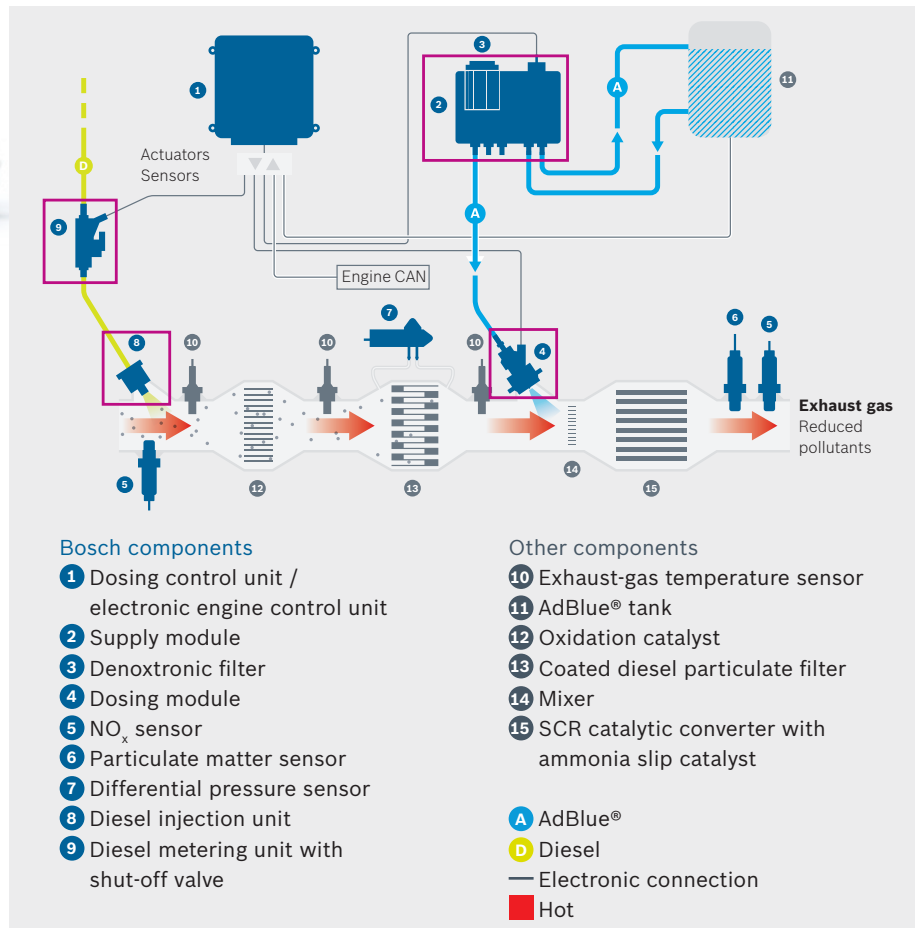
In order to reduce the environmental burden of toxic substances emitted by motor vehicles, in 2010 the Environmental Protection Agency (EPA) mandated that the worldwide limits for emissions from motor vehicles be continuously reduced.

The Bosch Denoxtronic System is the leading OEM emissions solution utilizing Selective Catalytic Reduction (SCR) technology. SCR technology is an Exhaust Gas Treatment strategy designed to reduce oxides of nitrogen (NOx) emissions from diesel vehicles. NOx gasses react in the atmosphere to form smog and acid rain. The Bosch Denoxtronic system is made up of an SCR catalyst and a urea dosing system. When combined, these components convert up to 95% of the harmful NOx emissions in to harmless nitrogen, water, and CO2. This allows diesel engines to run leaner and burn less fuel without the harmful emissions previously caused by lean conditions.

The Denoxtronic 2.2 system was specifically developed for use in diesel powered heavy commercial and off highway vehicles.

*See other side for Key Applications*

Bosch Denoxtronic and Departronic exhaust-gas treatment:

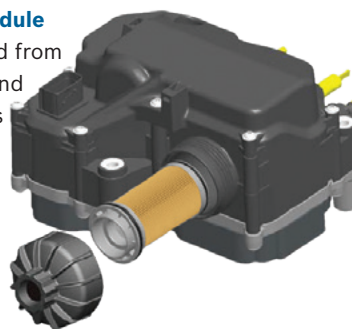


Replacement of individual Denoxtronic modules:

## Denoxtronic 2.2

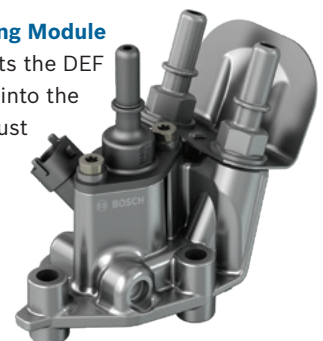
### Supply Module

Pumps fluid from DEF tank and pressurizes it for injection



### Dosing Module

Injects the DEF fluid into the exhaust



## Key Applications

Application	Part Description	Bosch PN	OE X-ref	Bosch Filter PN
AGCO	Dosing Module	0444023011	V837072107	NA
CAT	Supply Module 12V	0444042165	398474600	1457436088
CAT	Supply Module 24V	0444042167	398474700	1457436088
CAT/Perkins	Dosing Module	0444043115	424420500 460925600 T401183	NA
CAT/Perkins	Dosing Module	0444043117	398538600 460925700 T415829 T420096	NA
CNH	Supply module	0444022021	84246892	1457436006
CNH	Supply module	0444042210	47565934	1457436088
CNH	Dosing Module	0444023058	84247021 47511724	NA
CNH	Dosing Module	0444023062	84248058 47511725	NA
CNH	Dosing Module	0444025027	47581674	NA
Cummins	Supply Module 12V w/o check valve	0444042132	4387304	1457436088
Cummins	Supply Module 24V w/o check valve	0444042133	4387305	1457436088
Cummins	Supply Module 12V w/ check valve	0444042134	4387657	1457436088
Cummins	Supply Module 24V w/ check valve	0444042137	4387658	1457436088
Cummins	Dosing Module	0444043017	2880156	NA
Cummins	Dosing Module	0444043031	2888112 A030F171	NA
Cummins	Dosing Module	0444043033	2888173 A030P707	NA
Cummins	Dosing Module	0444043008	2 871 878 A028Y791	NA
Cummins	Dosing Module	0444043051	5305254 A043C088	NA
DEERE	Supply Module 12V	0444042188	RE552175	1457436088
DEERE	Supply Module 24V	0444042182	RE553796	1457436088
DEERE	Dosing Module	0444043045	RE560468	NA
DEERE	Dosing Module	0444043046	RE555626	NA
Doosan/Bobcat	Supply module	0444110003	30062800302	1457436039
Isuzu	Supply module	0444042151	8982688110	1457436088
Mack	Supply Module 24V	0444042012	21576178	1457436088
Mack	Dosing Module	0444023067	21647145	NA
Mack/Volvo	Supply module	0444042157	21647139 22851853	1457436088
Mack/Volvo	Supply module	0444042155	21574975 22851845	1457436088
Mack/Volvo	Supply Module 12V	0444042009	21577511 21577507	1457436088
Mack/Volvo	Dosing Module	0444043087	22391565 22391563	NA
Volvo	Dosing Module	0444043155	22744063	NA
Volvo	Dosing Module	0444043159	22757148	NA

NA=Not Applicable